



ASSA ABLOY

TALLERES DE ESCORIAZA, S.A.U
Barrio Ventas, 35
E-20305 Irun (España)

E-mail: moreinfo@inhova.com
Web: www.inhova.com
Teléfono: +34 943 669 100
Fax: +34 943 633 221

USER´S GUIDE:

ELECTRONIC LOCK FOR FURNITURE TESA

1.- INSTALLATION GUIDELINES

The CEM electronic lock is a non contact lock that uses transponder technology. For using it is necessary to have a support that integrates a transponder inside, support such as: a bracelet or an ISO card.



Fig 1. CEM electronic lock.

The lock is a security element with non copiable keys due to the password configuration of the transponder and the definition of electronic system. It is an autonomous system and the locker is supplied by one non rechargeable CR123A battery.

The **CEM** electronic lock can be installed in lockers with doors up to 3 cm thick. In order to ensure the right operating of the lock, the assembly of electronic lock at the locker's door must be done correctly.

Dimensions

The dimensions and the anchorage points are shown in the picture below:

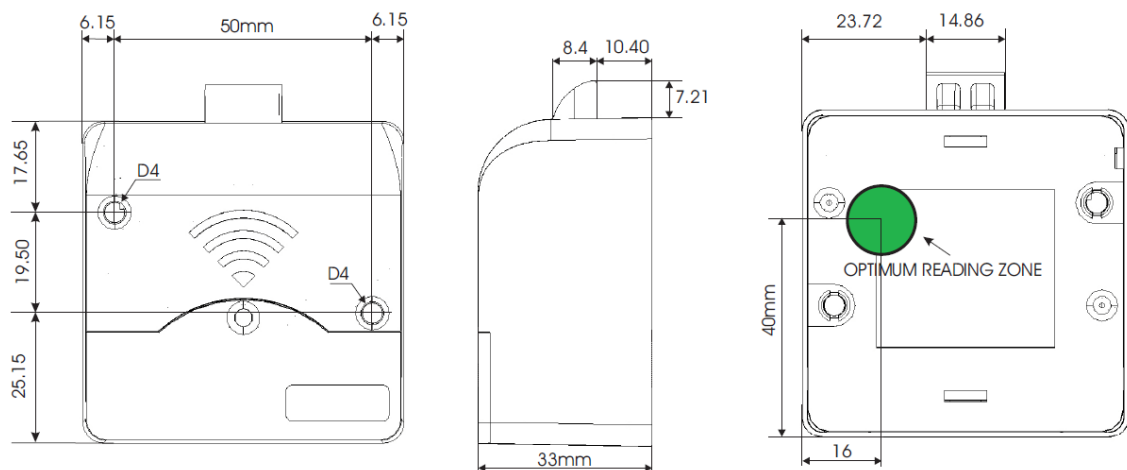


Fig 2. CEM locker lock dimensions

The latch is 7mm long and we must make sure that it does not collide when it is out. The CEM electronic lock will be fixed to the door using 2 lag screws. The CEM is 34mm thick, then the screws must be longer than 34mm but no longer that the 34mm + door thickness.

Installation process

The lock installation has to be done following these steps:

1. Choose the correct place.
2. Mark the holes.
3. Screw on the CEM using two mounting screws.
4. Make sure the lock lock is well installed.
5. Once the CEM locker lock is installed, make a mark in the door in the point the RFID card needs to be approached to.

2.- OPERATING

MANUFACTURING CARD

It is used for openings and lockings , to test the locks during the installation. This card can only work when there is no master card encoded.

PROGRAMMING CARD

It is used to encode on the locker the master cards that can be used on it.
If we approach the programming card a blinker beep can be heard. If a Mifare card is approached while beeping, the card will be encoded as a master card that will be confirmed by a burst beep. Afterwards, the blinker beep will start to temporize 5 secs, thus allowing to encode more master cards, up to 48.

This action will be repeated as many times as desired.

DELETING CARD

It is used to delete all the parameters and let the lock blank again. If it is done correctly it beeps twice.

USER CARD

Any Mifare 1K , 4K or Ultralight card can work as a user or client card.

a) Free operating

The user can use any free locker. Once occupied, the card is assigned to that locker, and that means:

- *) The card can not be used in any other locker.
- *) The lock can only be opened with that card with the exception of the master card)

Once the user opens her/his locker, the lock and the key will be released, which means that:

- *) The card can occupy any locker that is open.
- *) The locker can be occupied by any card that is free.

b) Fix operating

The users can only open the locker assigned to them (of their room). The assignation of a user to a locker is made by using the "Fix user programming card" (explained afterwards).

- *) The card can't occupy any locker, but the assigned one.
- *) The locker can only be opened with that card or other assigned to the same room (except from the master card)

Once the user opens its locker, neither the locker nor the card are liberated and as a result:

- *) The card can not open any other opened locker.
- *) The locker can not be occupied by any other card that is free. It can be opened by the other room card.

On the fix operating, the user cards have a counter that will allow copies and cancellations.

- *) A user card on fix operating with a higher counter, will cancel the users with the same room but a lower counter.
- *) To get that more than a card on fix operating can access to the same locker, it is enough all the cards to have the same counter.

FIX USER PROGRAMMING CARD

It is used to turn a locker on free operating into a locker on fix operating and vice versa.

Free to fix mode.

Having passed the FIX USER PROGRAMING CARD, a blinker beep will be heard by 10s. If during that time a USER CARD is approached, the lock as well as the card become fix, and a burst beep will be emitted.

Fix to free mode.

Having passed the FIX USER PROGRAMING CARD, a blinker beep will be heard by 10s. If during that time a MANUFACTURING CARD is approached, the lock as well as the card become free, and a burst beep will be emitted

AUTOMATIC OPEN CARD

It allows the defining the time when the lockers will be opened automatically.

3.- Beeps SUMMARY

Beeps	Description
1 beep.	The card doesn't match any of the conditions. It is given with the following cards: <ul style="list-style-type: none"> • USER CARD. • MASTER CARD. • MANUFACTURING CARD. • ERASING CARD. • PROGRAMMING CARD. • FIX USER PROGRAMMING CARD. • AUTOMATIC OPEN CARD.
2 beeps.	Correct card and correct operation. It is given with the following cards: <ul style="list-style-type: none"> • USER CARD. • MASTER CARD. • MANUFACTURING CARD. • ERASING CARD.
3 beeps.	Two different meanings: <ul style="list-style-type: none"> • Battery cover is open. Any card will be denied while the cover is open. The cover needs to be closed to make the lock work. • The special card counter has been successfully updated.
5 beeps.	AUTOMATIC OPEN CARD correct.
6 beeps.	Low battery. Please replace the battery. It is given in the following cases: <ul style="list-style-type: none"> • Every time USER CARD and MASTER CARD are approached and the battery is low. • Every 20 minutes, with no card presence.
Blinker beeps for 10sg.	Timeout that is given with the following cards: <ul style="list-style-type: none"> • PROGRAMMING CARD. • FIX USER PROGRAMMING CARD.
Beep burst while blinker beeps.	If the burst is preceded by a PROGRAMMING CARD: <ul style="list-style-type: none"> • The card has been programmed as a master card. Once the burst is finished the blinking beeps will continue, making possible the programming of other master cards. If the burst is preceded by a FIX USER PROGRAMMING CARD: <ul style="list-style-type: none"> • The lock swipes from fix mode operative to free mode operative and vice versa.
Swapping of 3 and 1 beeps.	White list of master cards is full (48 master cards maximum). It is given with the PROGRAMMING CARD.