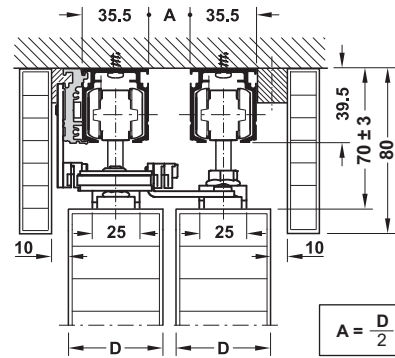
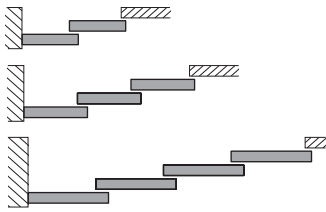


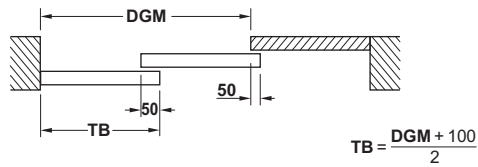


100-A, Stapelung

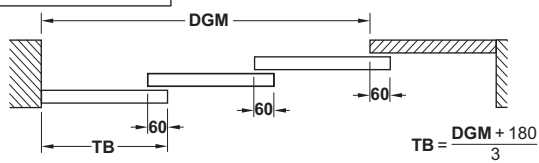
941.37.000
941.37.001
941.37.002



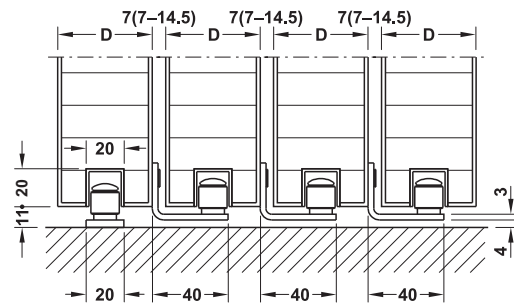
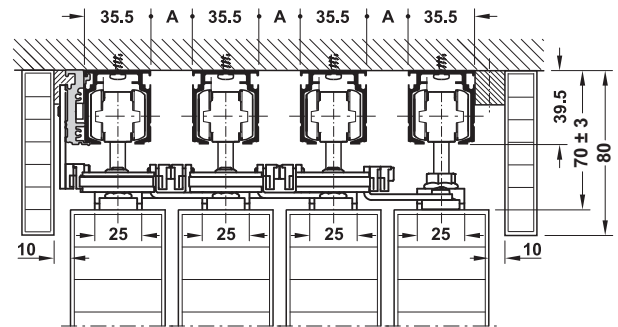
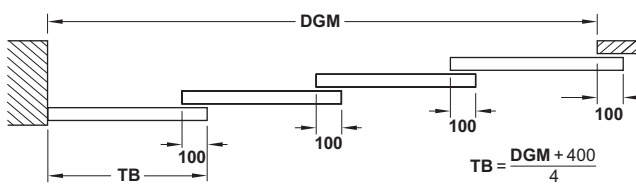
A



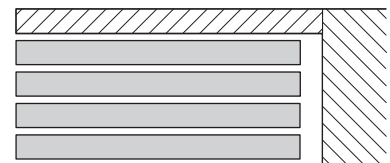
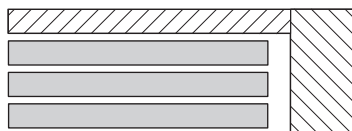
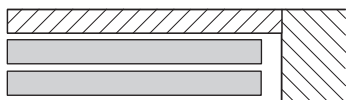
B



C






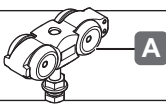
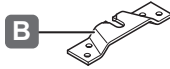
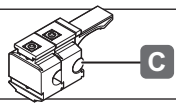
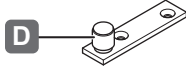
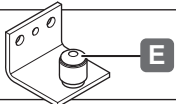
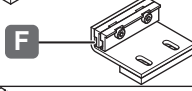
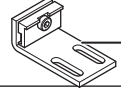
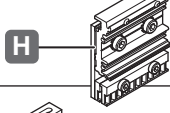

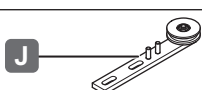
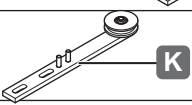
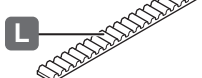


$$A = \frac{D}{2} - 3.5$$




732.29.835

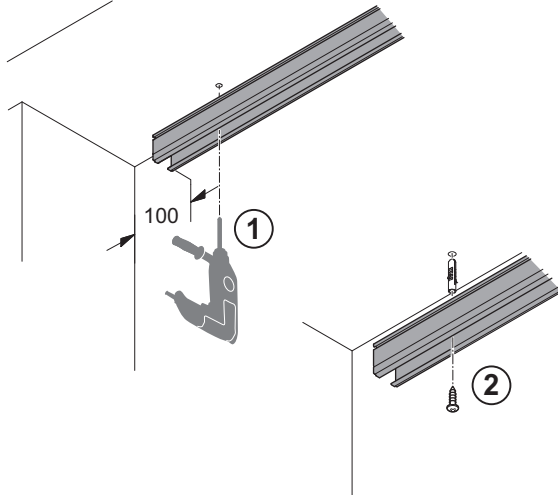
HDE 12.12.2017

|  |  | | |
|---|---|--|---|
| |  |  |  |
|  | 4x | 6x | 8x |
|  | 4x | 6x | 8x |
|  | 2x | 2x | 2x |
|  | 1x | 1x | 1x |
|  | 1x | 2x | 3x |
|  | 1x | 1x | 1x |
|  | - | 2x | 5x |
|  | 1x | 1x | 1x |
|  | 1x | 2x | 3x |
|  | - | 1x | 2x |
|  | 1x | 1x | 1x |
|  | 1x (3000 mm) | 1x (6000 mm) | 1x (9000 mm) |

732.29.835

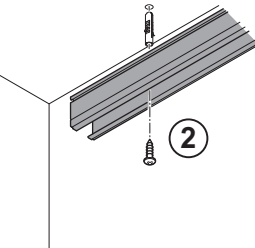
1





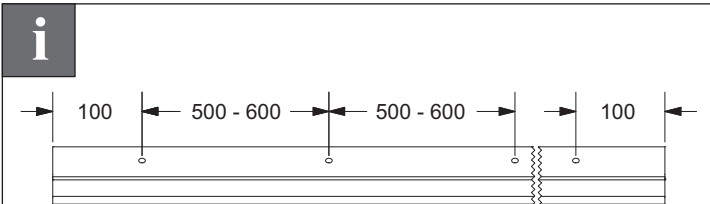
100

①

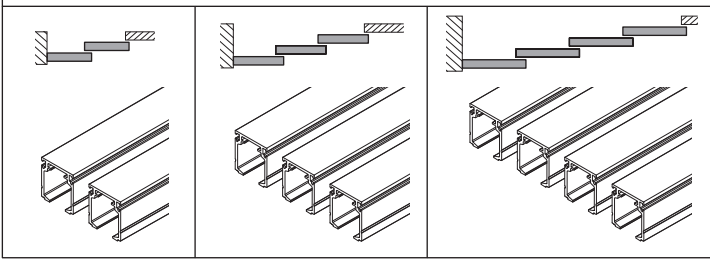


②

i

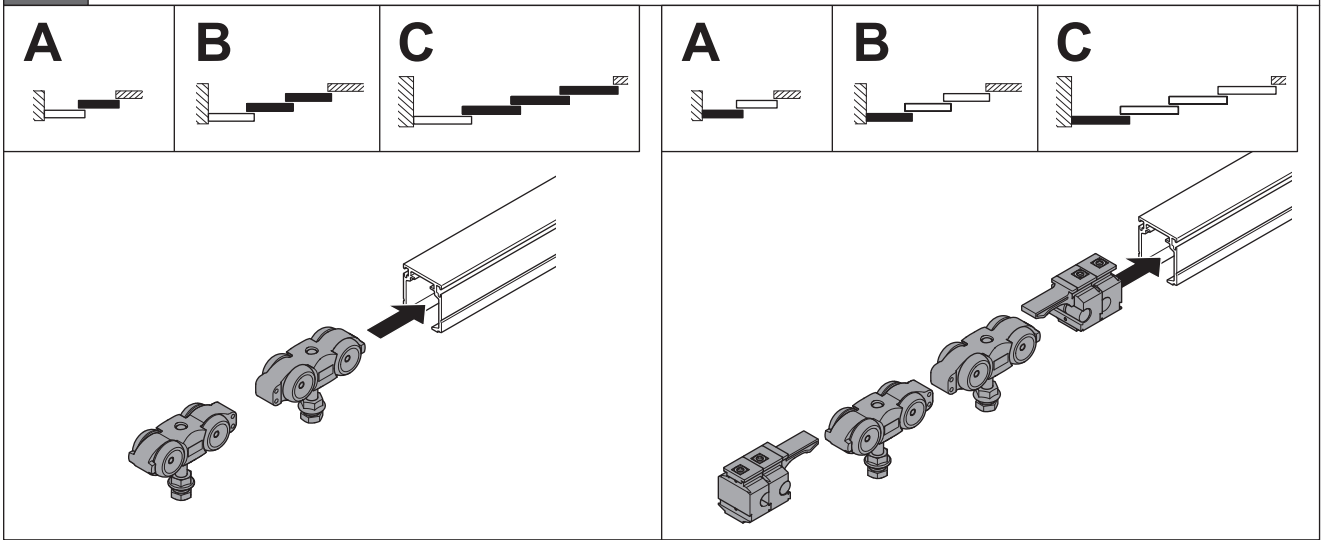


100 500 - 600 500 - 600 100

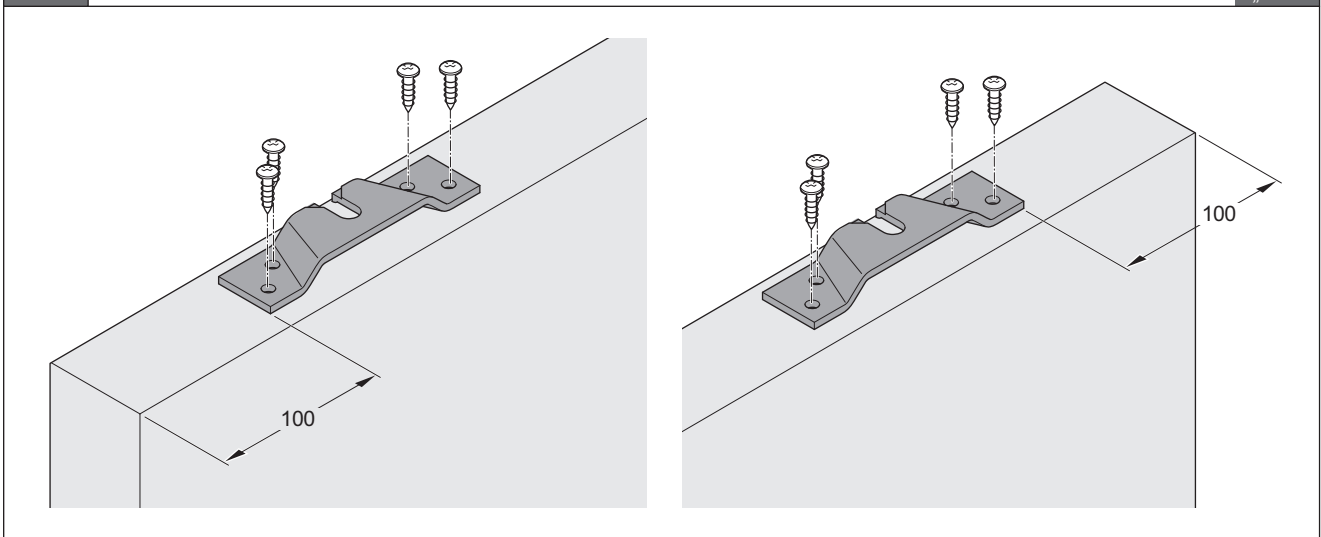


HDE 12.12.2017

2

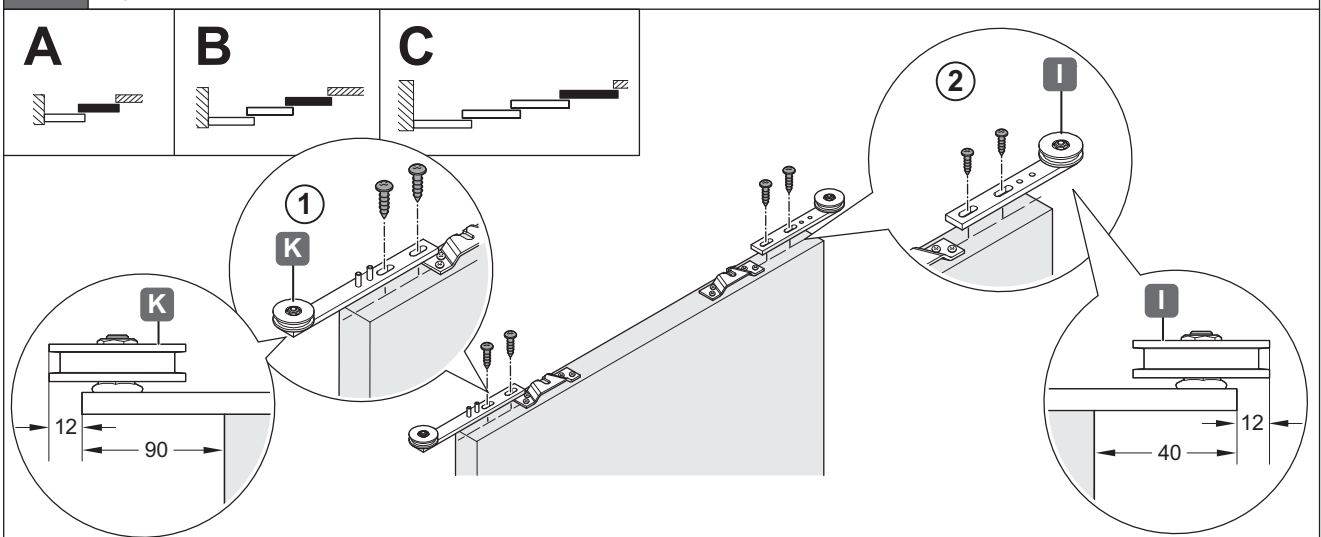


3

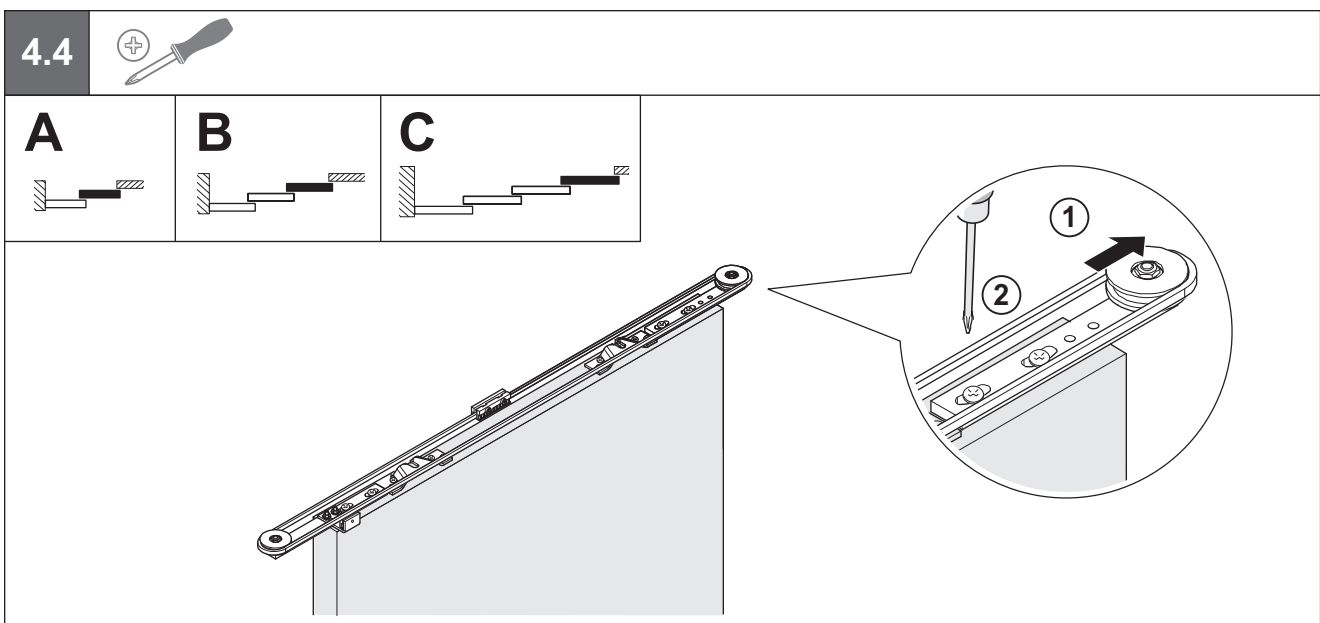
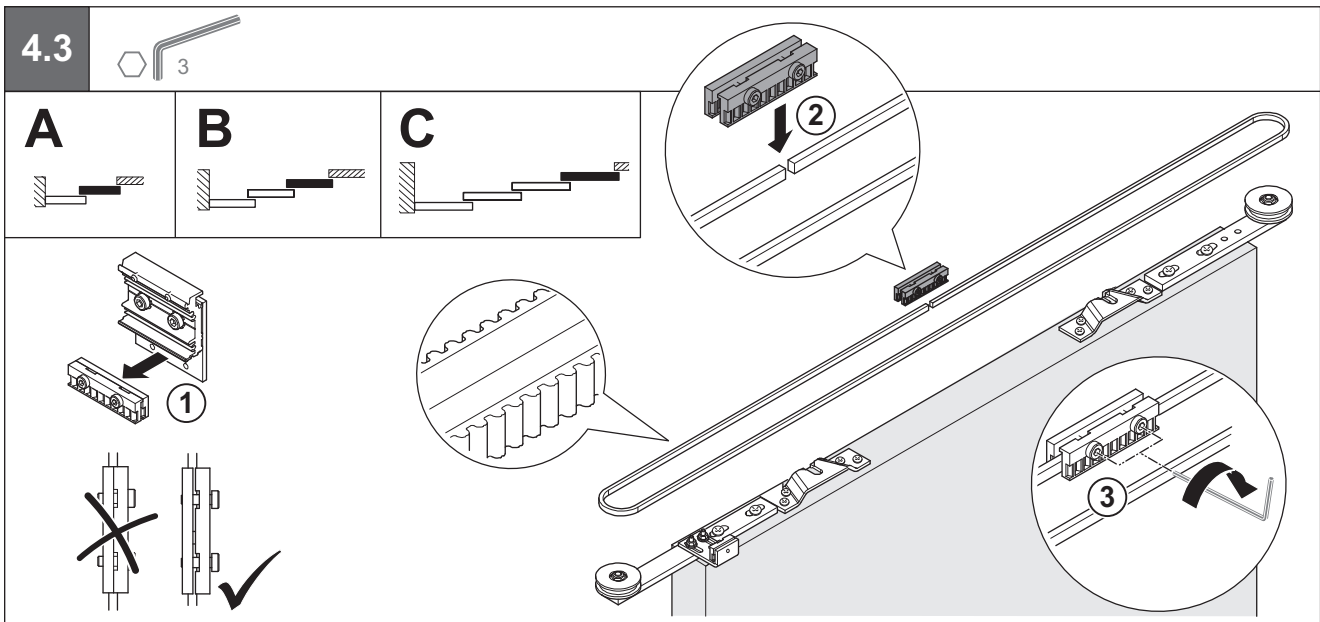
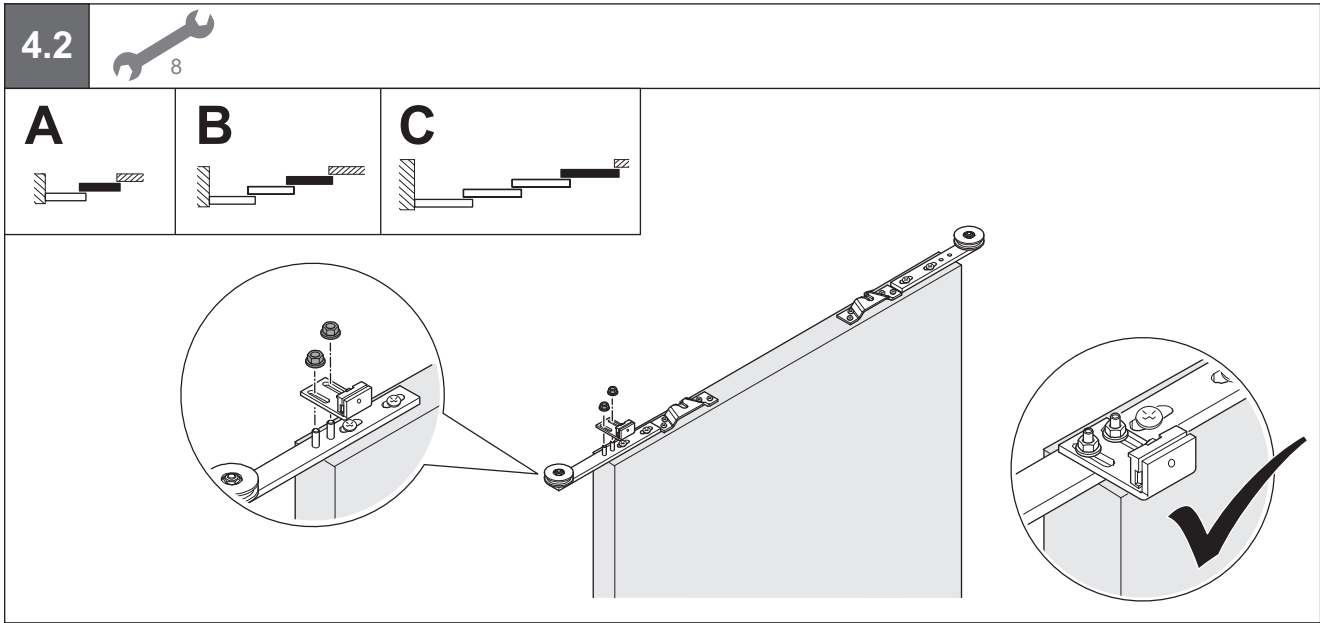


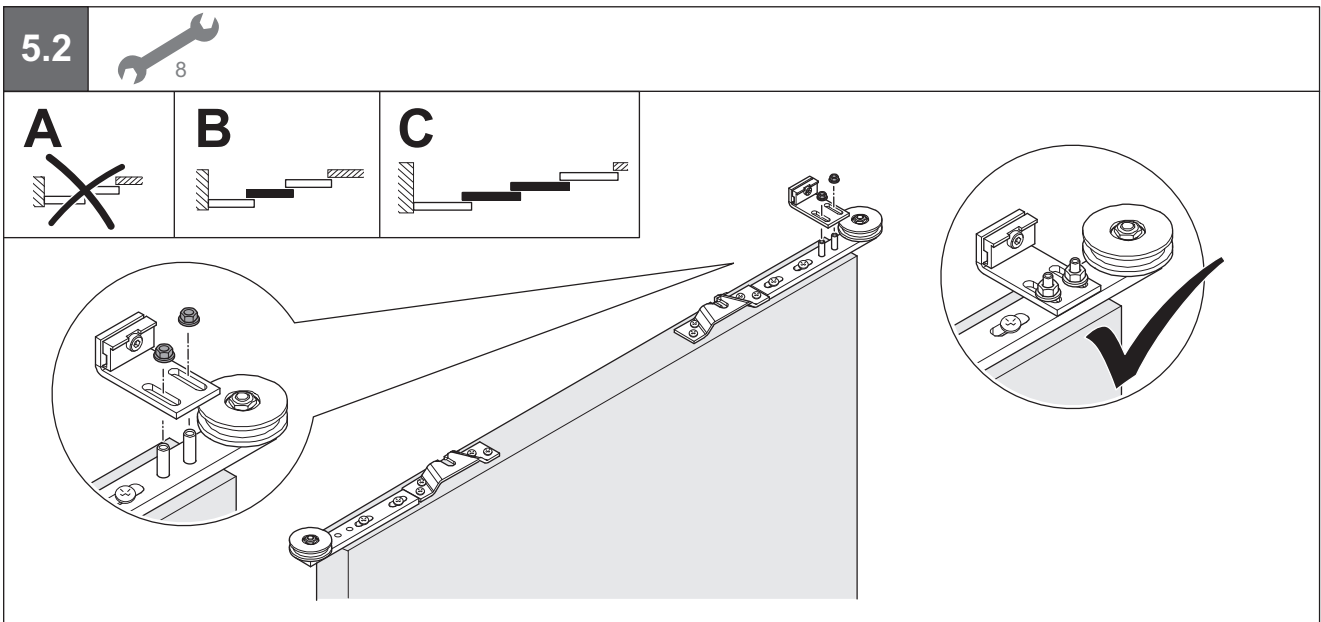
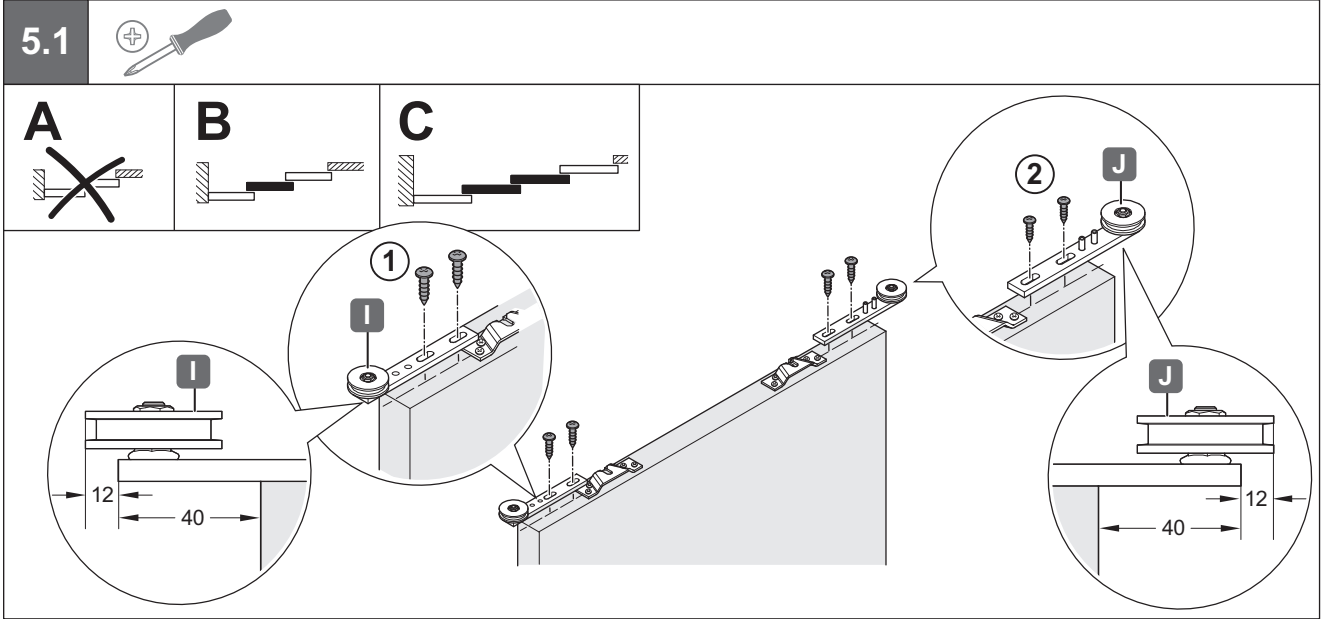
732.29.835

4.1

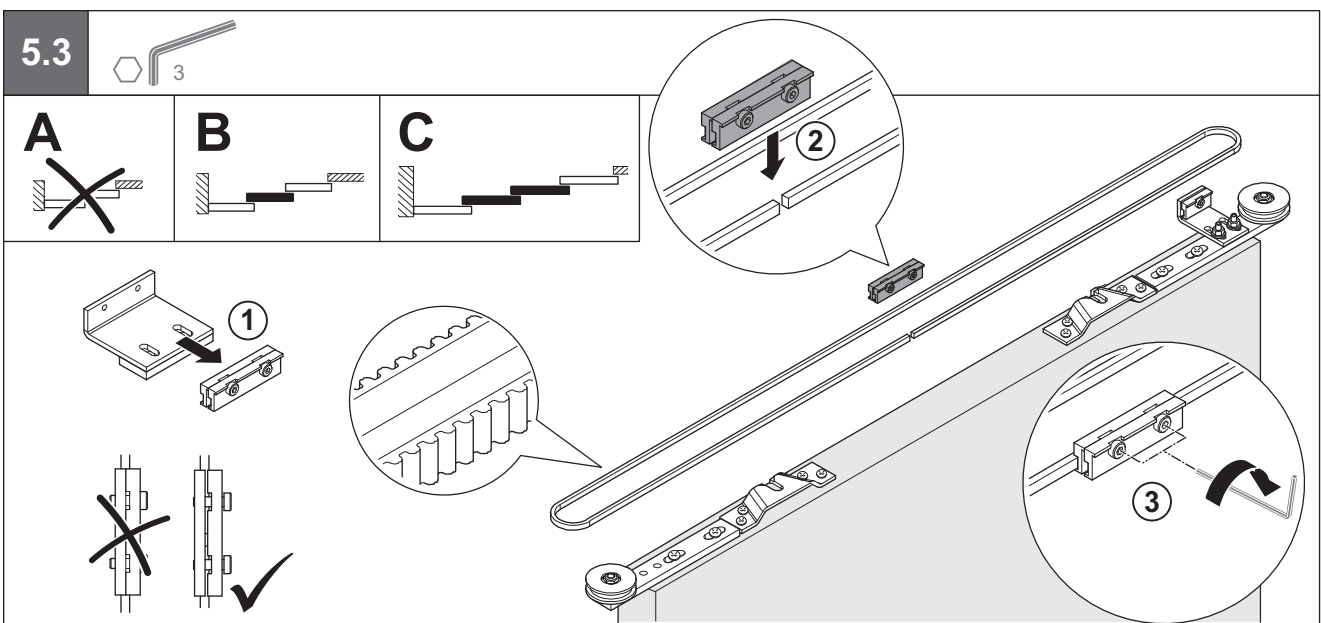


HDE 12.12.2017








732.29.835




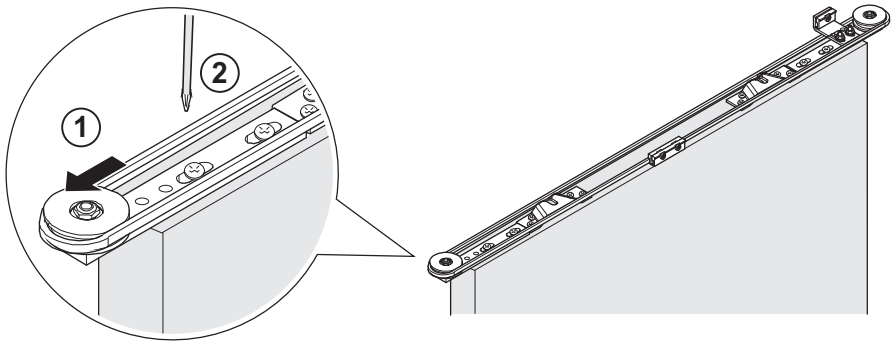
HDE 12.12.2017


5.4 


A



B


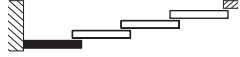
C


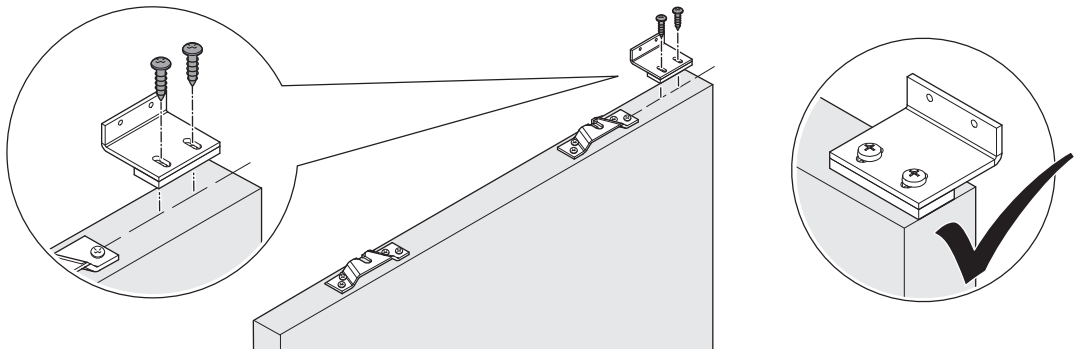



6 


A



B



C





7 

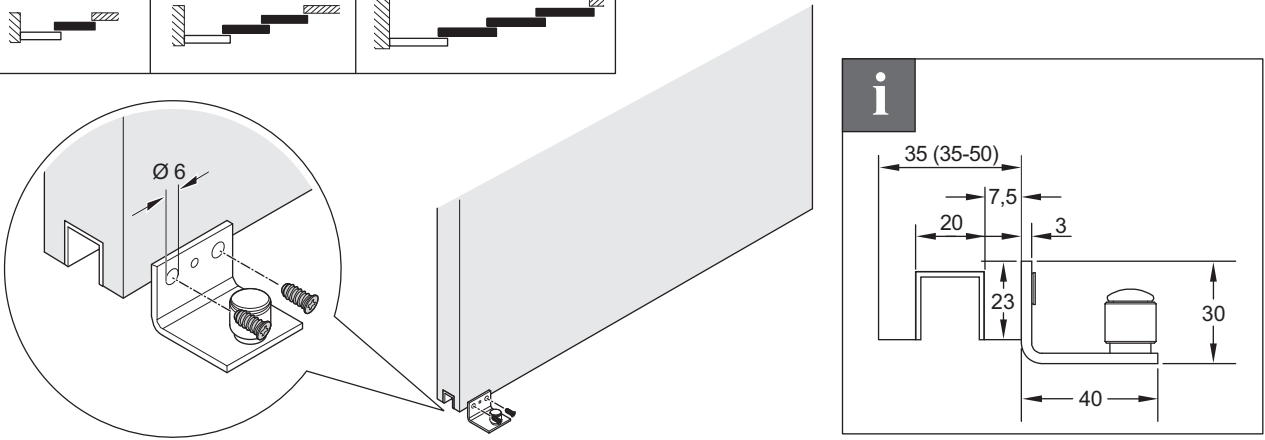
A


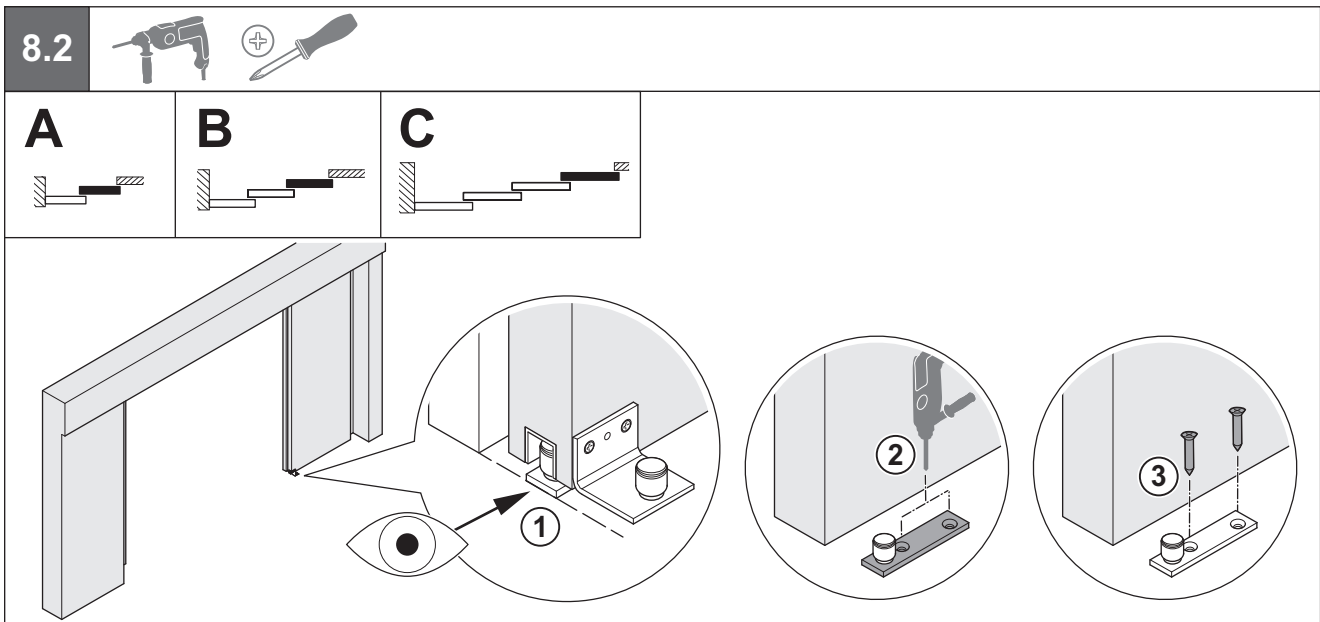
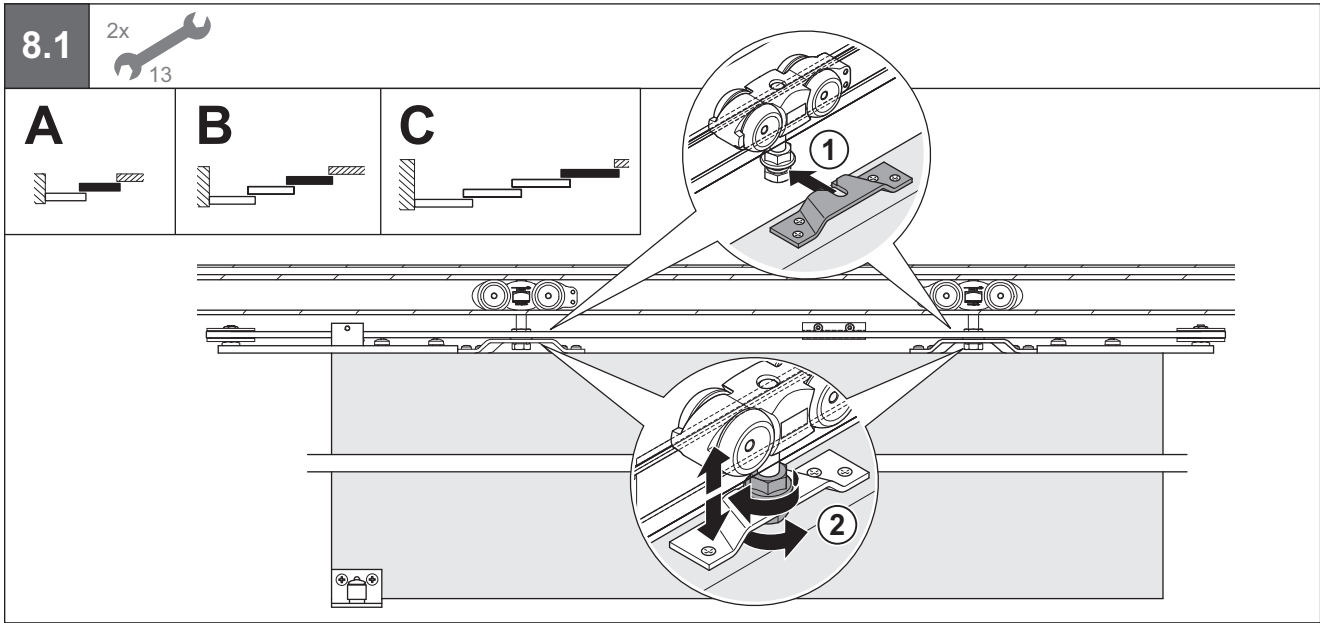
B


C


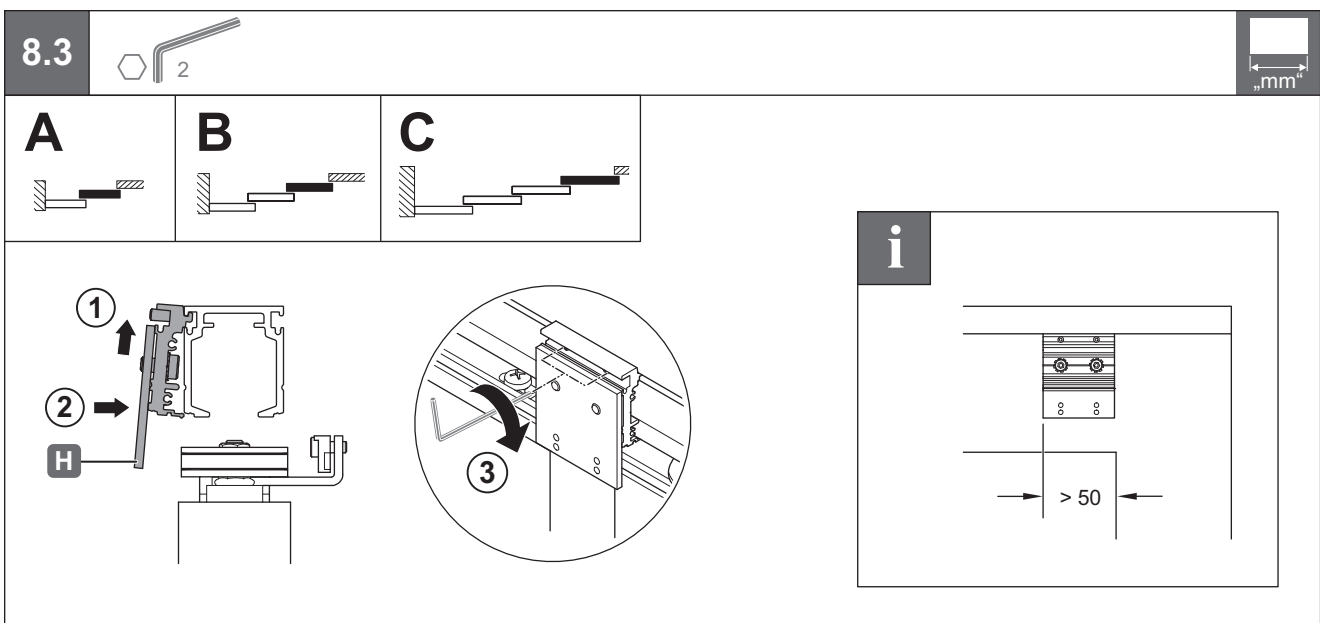


 „mm“

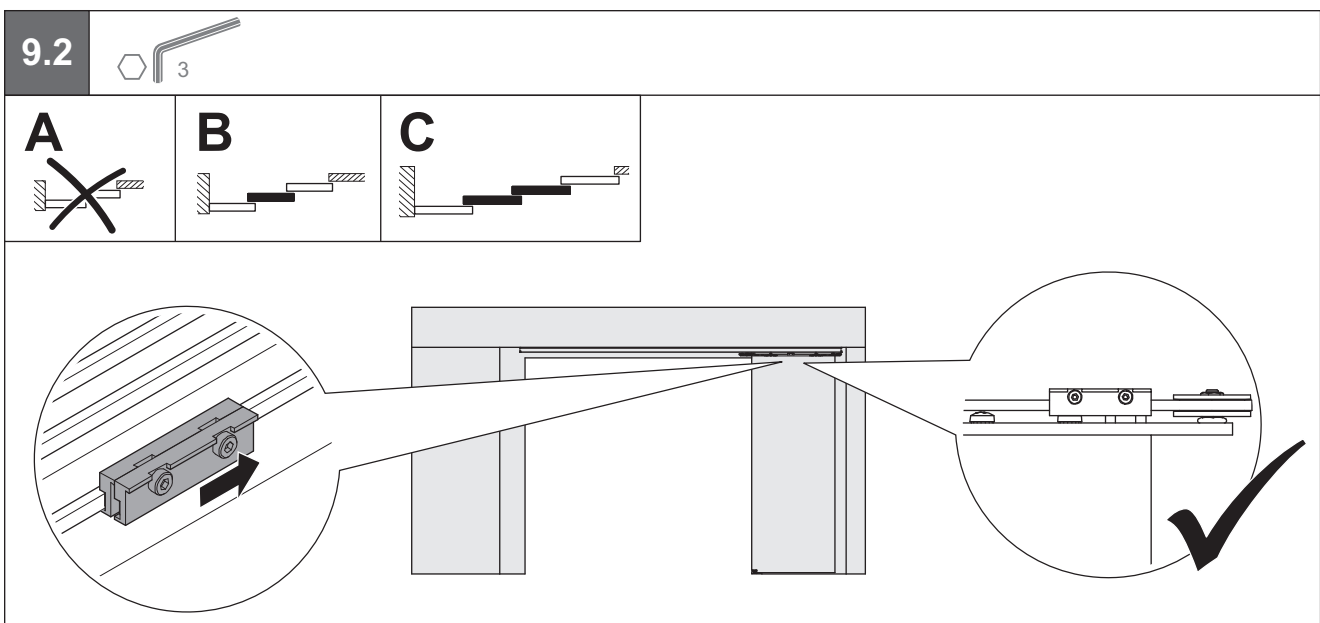
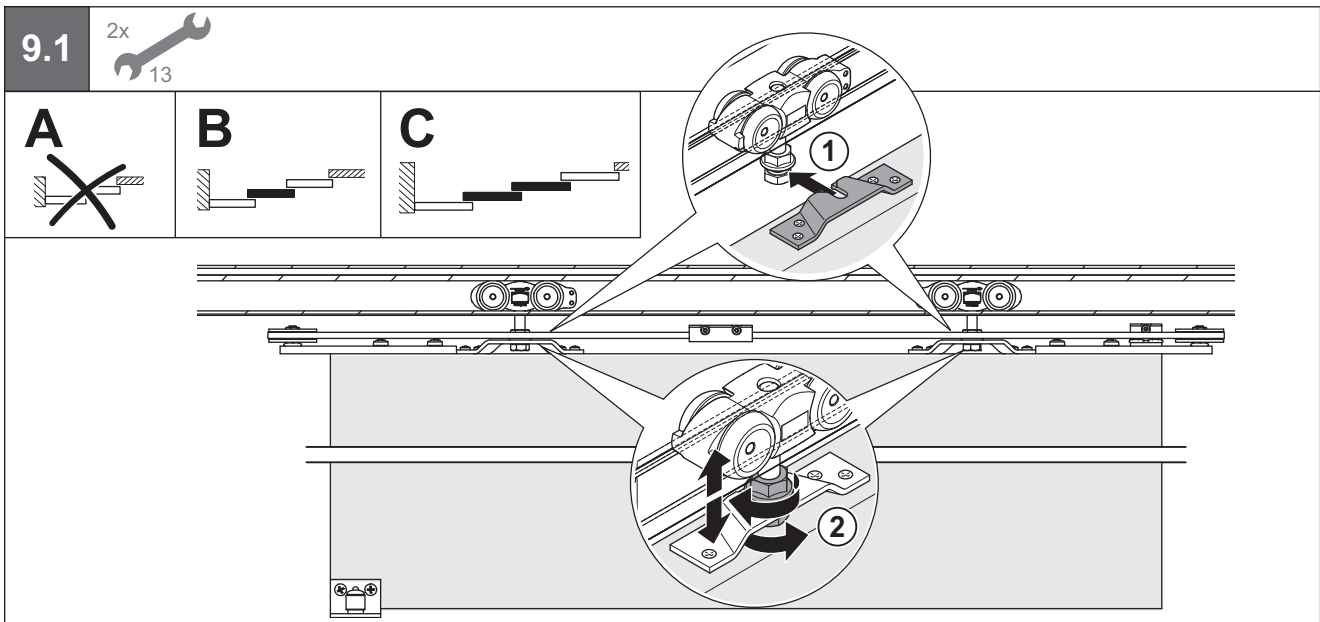
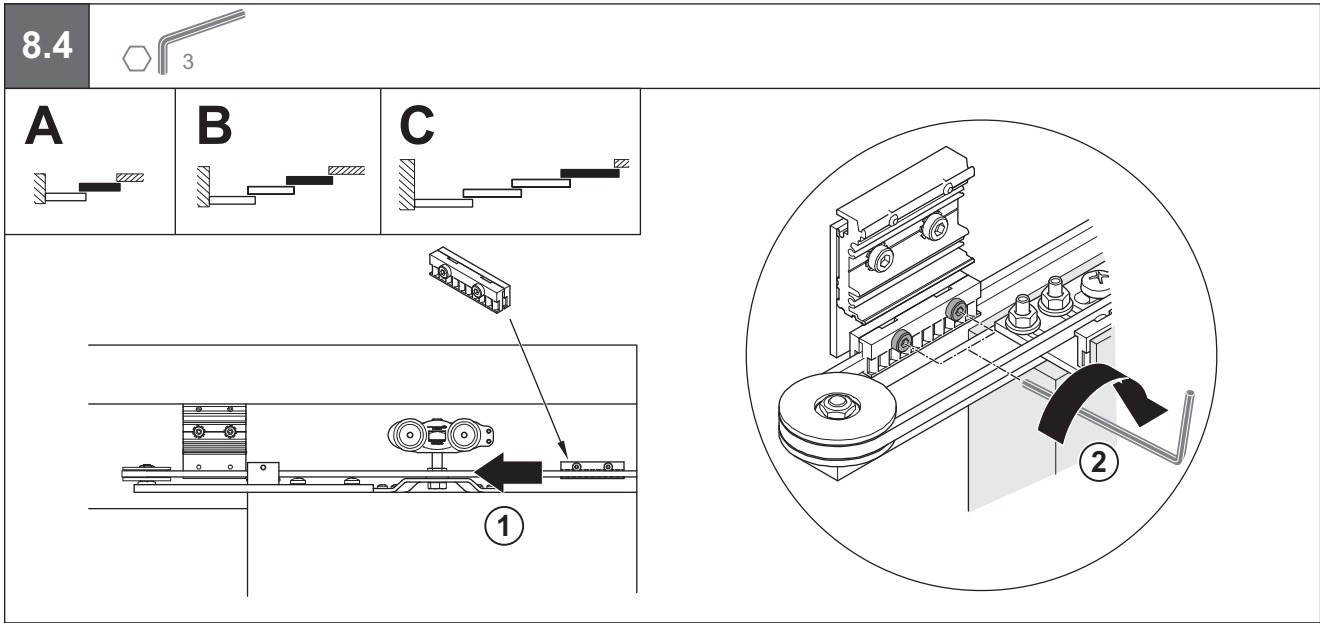




732.29.835



HDE 12.12.2017



9.3



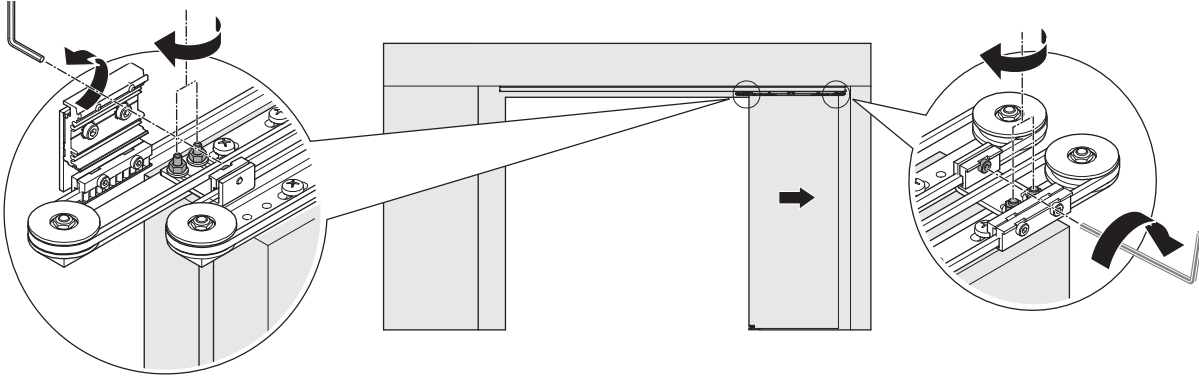
A



B



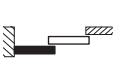
C



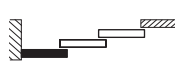
10.1



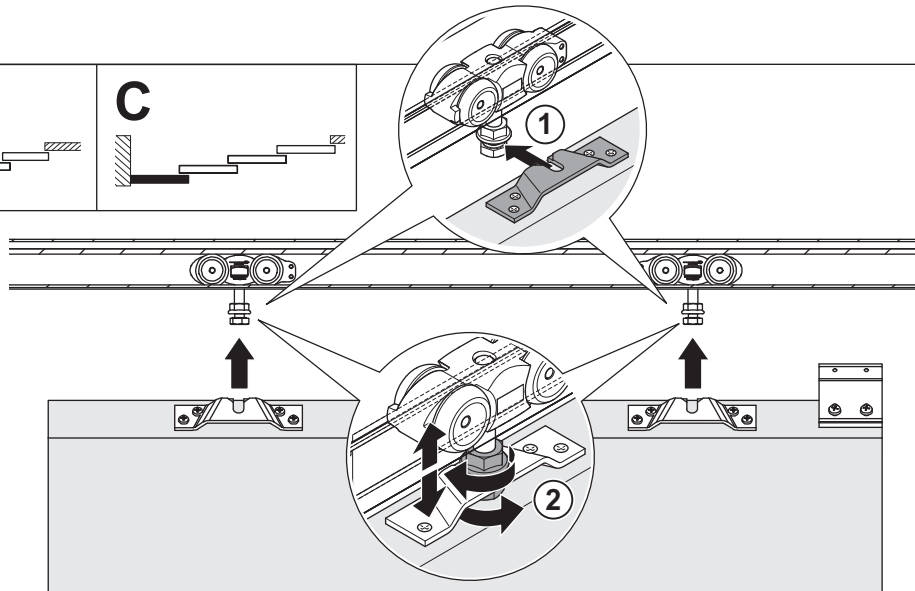
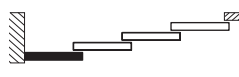
A



B



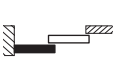
C



10.2



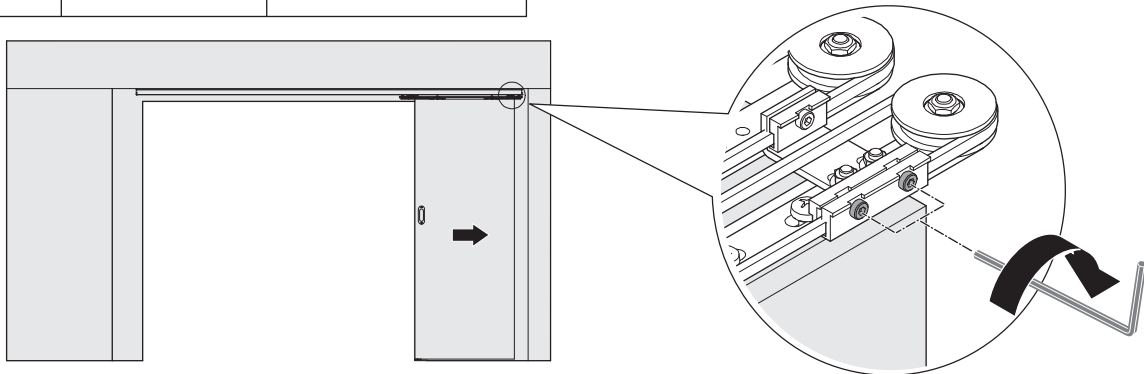
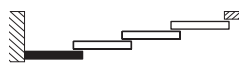
A



B

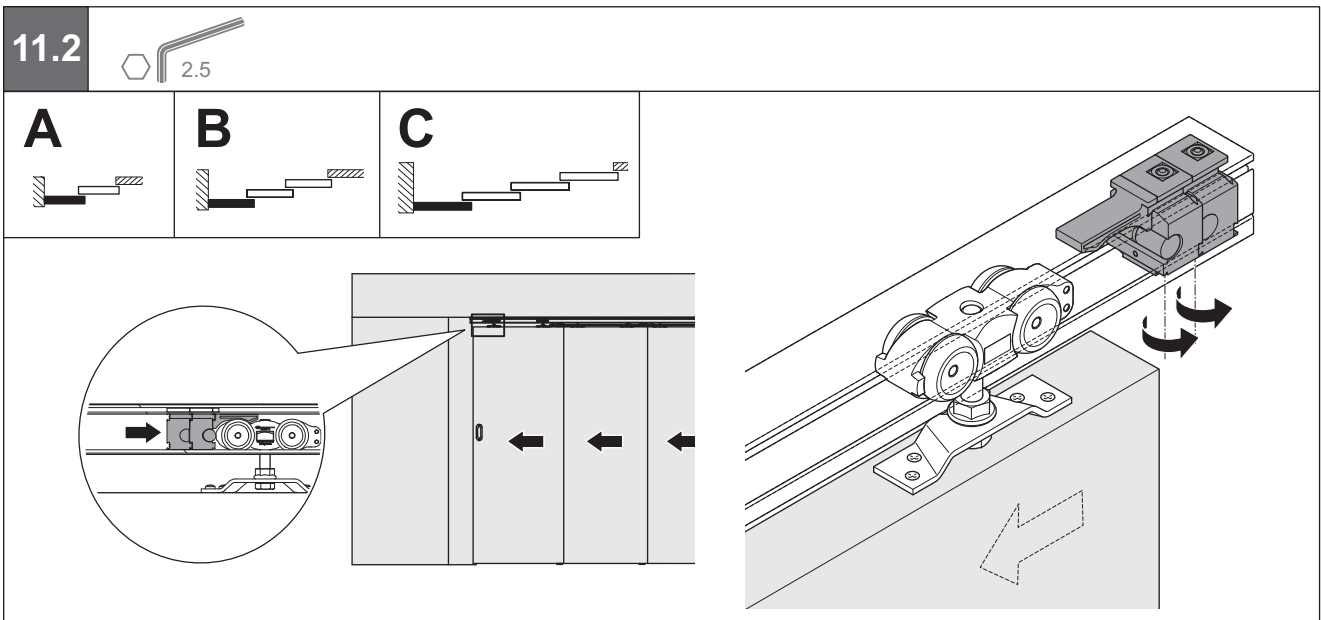
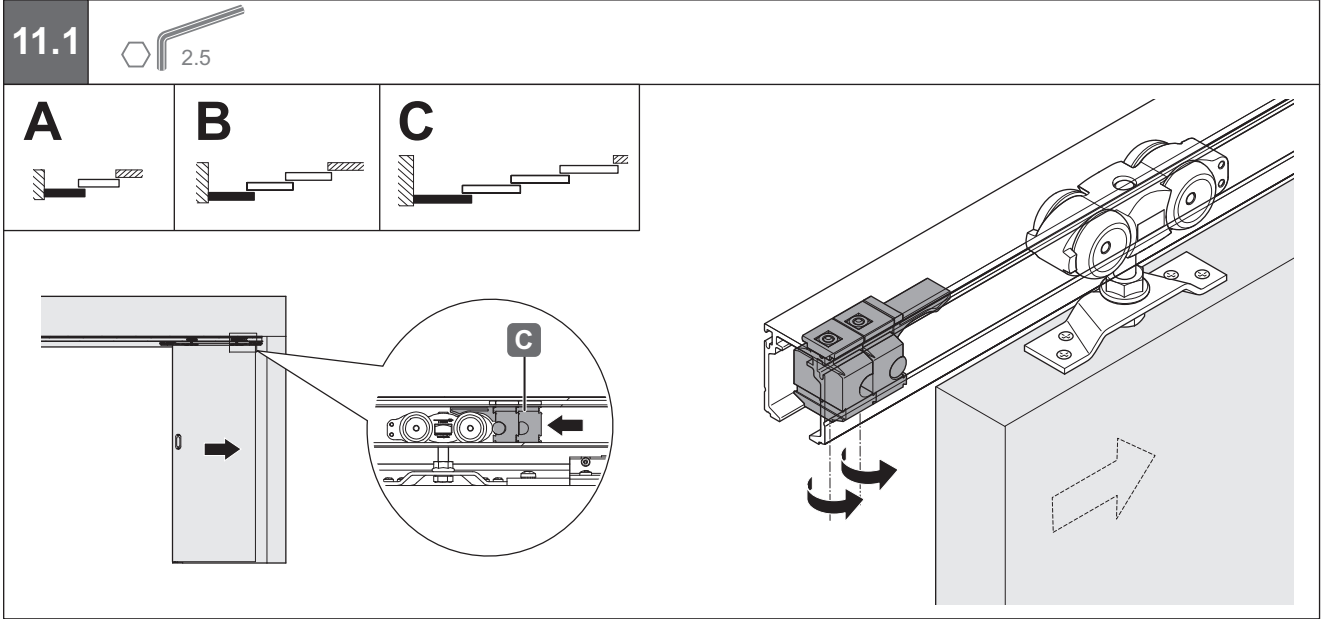


C



732.29.835

HDE 12.12.2017



732.29.835

HDE 12.12.2017

