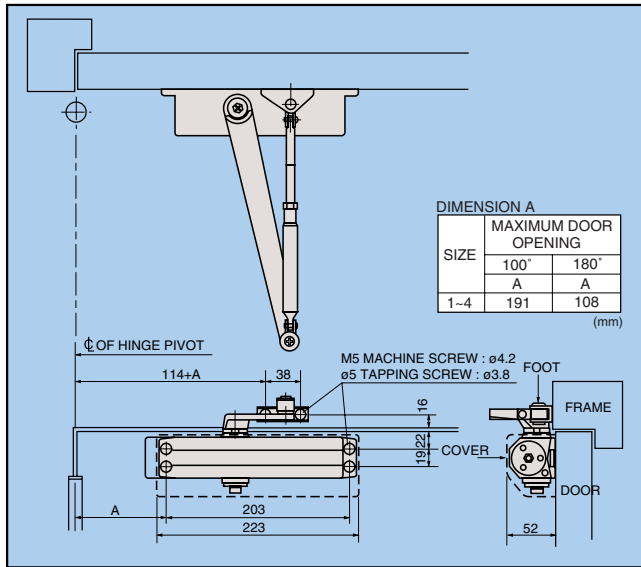
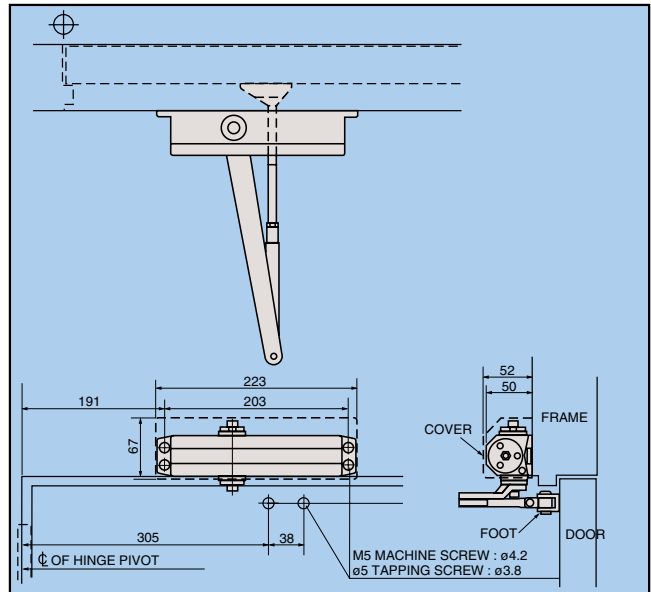


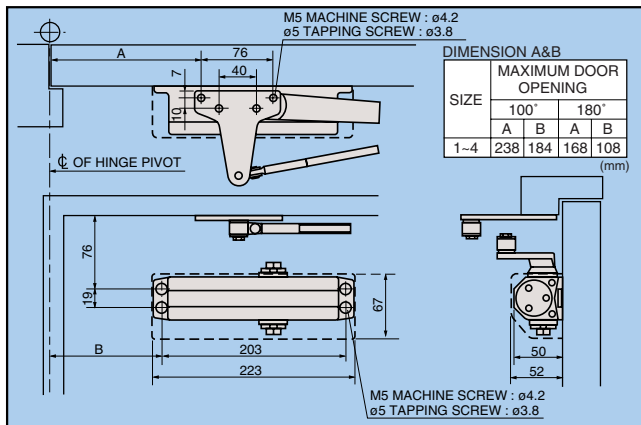
STANDARD APPLICATION



TOP JAMB APPLICATION



PARALLEL ARM APPLICATION



TRACK-RAIL ARM APPLICATION

