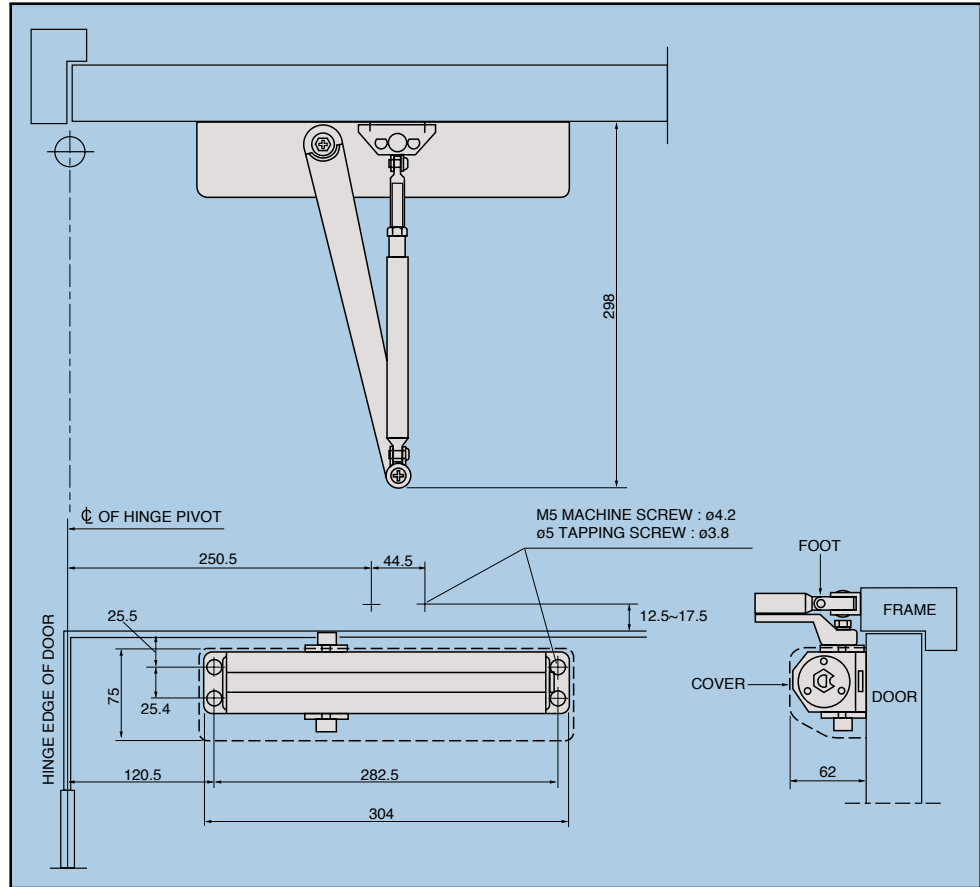


RYOBI D-3550

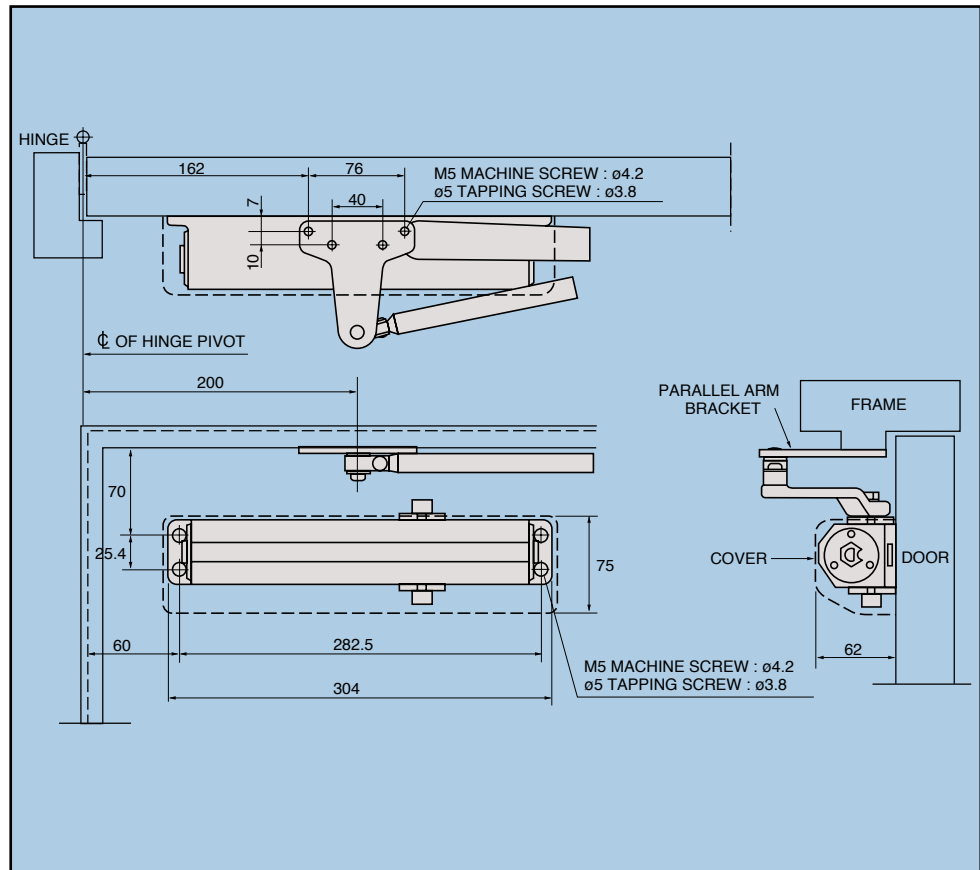
STANDARD APPLICATION

CLOSER MOUNTED ON PULL SIDE OF DOOR



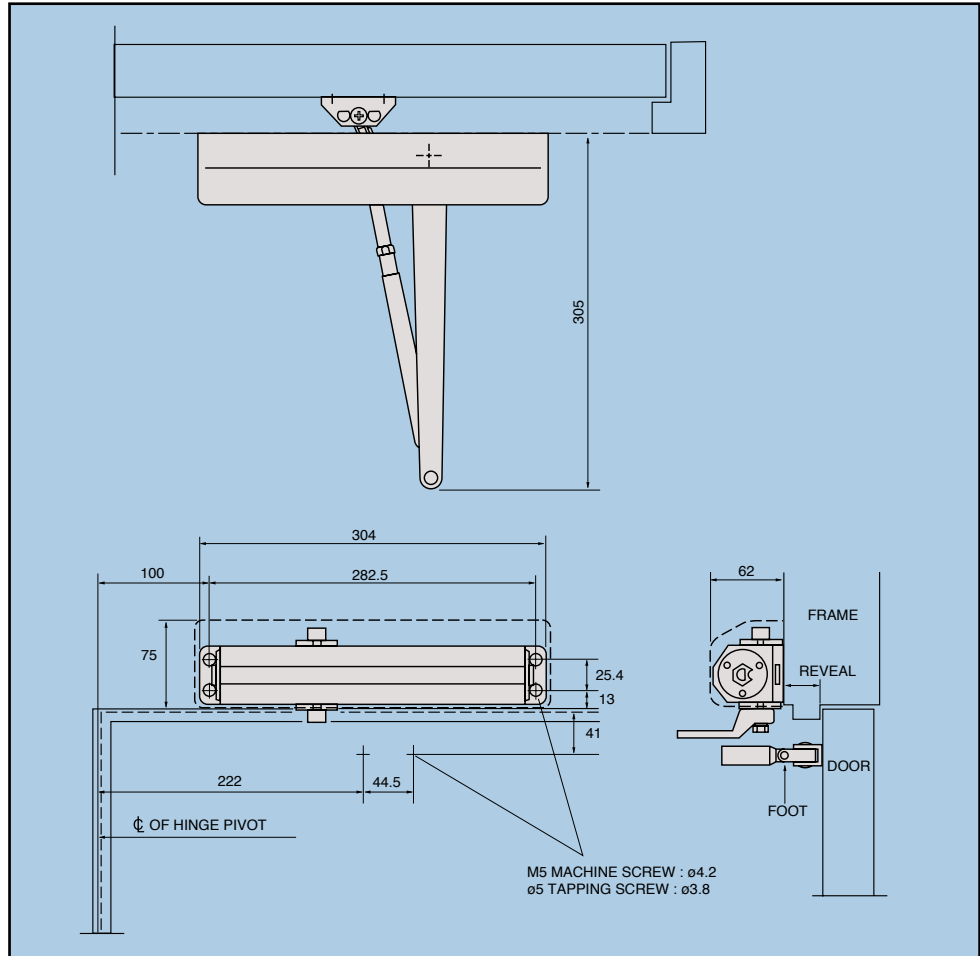
PARALLEL ARM APPLICATION

CLOSER MOUNTED ON PUSH SIDE OF DOOR



TOP JAMB APPLICATION

■ CLOSER MOUNTED ON PUSH SIDE OF DOOR



TRACK-RAIL ARM APPLICATION

■ CLOSER MOUNTED ON PULL SIDE OF DOOR

