

TECHNICAL DATASHEET

50 AF

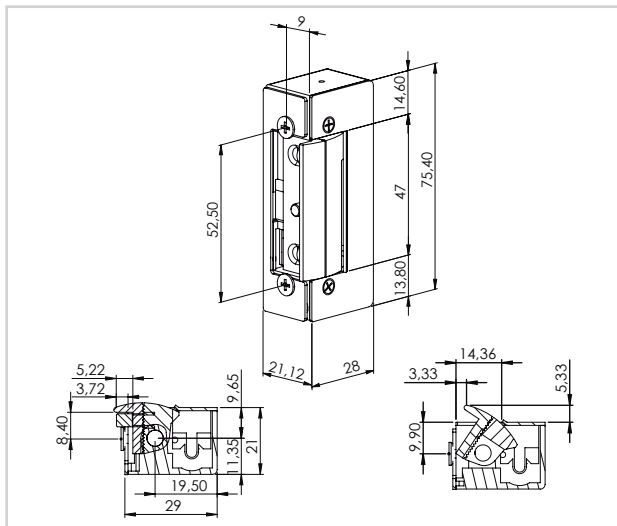
TECHNICAL FEATURES

Installation type	Flush
Simmetrical	Si
Height	75mm
Width	21mm
depth	28mm
Jaw depth	6mm
Flex jaw adjust	3mm
Electric tested cycles	200.000
Temperature working range	-15°C / 40°C
Breaking resistance	800 Kg

FUNCTIONS

Flex jaw (F)	Yes
Unlatching mechanism (D)	No
Microswitch (305)	No
Diode	Optional
Varistor	Optional

TECHNICAL DRAW



AVAILABLE COILS

	6-12 VAC-VDC	8-12 VAC-VDC	24 VAC	12(412) VDC	12(412) VDC	24(424) VDC	12(512) VDC	24(524) VDC
Coil resistance (Ω)	8	17	58	30	43	132	58	230
Function	FAIL SECURE	FAIL SECURE	FAIL SECURE	FAIL SECURE	FAIL SECURE	FAIL SECURE	FAIL SAFE	FAIL SAFE
VAC Current consumption (mA)	600 (6V) 1200 (12V)	370 (8V) 620 (12V)	330					
VDC Current consumption (mA)	700 (6V) 1500 (12V)	470 (8V) 750 (12V)		400	240 (10V) 300 (12V) 590 (24V)	200	200	110
Kept working range in VDC (V)				11-12	11-12	23-24	12	24
Electric duty cycle (%ED)	30% ED	30% ED	30% ED	100% ED	100% ED	100% ED	100% ED	100% ED
Max. preload opening VAC (N)	300 (12V)							
Max. preload opening VDC (N)								

*Coil tolerances ± 3% Ω

*Electric duty cycle in base to 10" (ej. 100% ED = 10")