

# ME-0515M

## Multipurpose Power Management Enclosure Installation Manual

### 1. Introduction

The ME-0515M is a multi-purpose Power Management Enclosure featuring a switch mode power supply that outputs power to the PM-05 power management module.

The PM-05 power management module has two independent power channels with an isolated PTC (self-resetting fuse). Battery backup is available. When AC power fails, the PM-05 instantaneously (UPS) switches power over to a stand-by sealed lead acid (SLA) battery (not included) charged by a built-in battery charger. A low battery cutoff prevents batteries from deep discharge.

The tough metal enclosure accommodates one 12VDC, 7Ah SLA battery. The enclosure is equipped with a standard IEC320-C14 AC inlet allowing for easy connection to mains power using a standard C13 power cord. The provided power lock clamp prevents inadvertent disconnection of the C13 plug. Multiple knockouts are suitable for use with 1" conduits.

Figure 1: ME-0515M



### 2. Technical Specifications

#### 2.1 Electrical Characteristics

SMPS	Input	100 – 240 VAC, 50/60 Hz, 1.5 A
	Output	15 VDC, 4 A
PM-05	Input	15 VDC, 4 A
	DC Output	12 VDC, 2 A (CH1/CH2)
	Battery Charge current	1.5 A

#### 2.2 Environmental Characteristics

Operating Environment	Indoor
Operating Temp. Range	-10°C - 50°C (14°F - 122°F)
Operating Humidity Range	0% - 85% (non-condensing)

#### 2.3 Physical Characteristics

Enclosure Dimensions (H x W x D)	228 x 224 x 84 mm
Enclosure Weight	2.1 kg

### 3. Installation

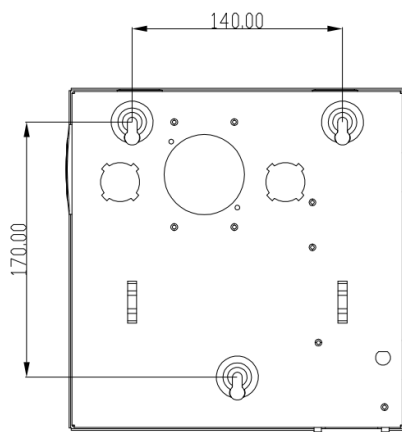
#### 3.1 Mounting

Make sure the mounting location is a flat surface.

##### To mount the ME-0515M:

1. Drill holes in the wall using the enclosure back cover holes as a guide (Figure 2).

Figure 2: Enclosure Drill Holes




2. Insert masonry anchors into the drilled holes.
3. Mount the enclosure on the wall.
4. Once the ME-0515M is mounted, it can house a controller and an expansion.

#### 3.2 Connecting the Battery

Once the control panel connections are completed, you can install the battery.

##### To connect the battery:

 Make sure the AC power cable is disconnected.

1. Use a 7Ah sealed lead acid battery with crimp terminals (Yuasa Model NP7-12FR or equivalent).
2. Connect the backup battery red and black wires.

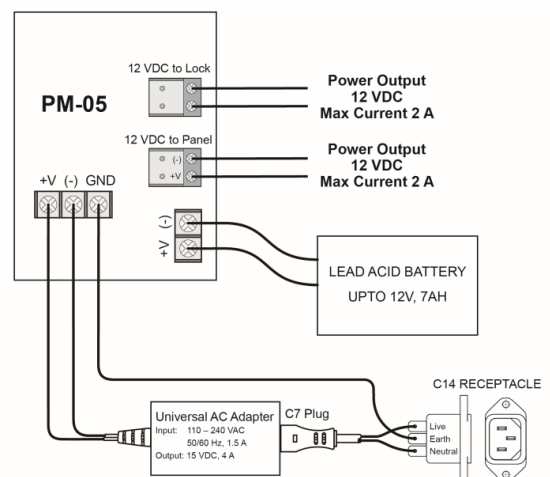
If there is residual power in the battery, the system should turn on. If the battery is completely empty, the system will not power on.

3. Connect the AC power cable.

#### 3.3 Wiring

Refer to the wiring diagram below.

Figure 3. General Wiring Diagram



---

## Limited Warranty

---

The full ROSSLARE Limited Warranty Statement is available in the Quick Links section on the ROSSLARE website at [www.rosslaresecurity.com](http://www.rosslaresecurity.com).

Rosslare considers any use of this product as agreement to the Warranty Terms even if you do not review them.

---

## Contact Information

---

### United States and Canada

Rosslare Security Products, Inc.  
Southlake, TX, USA  
Toll Free: +1-866-632-1101  
Local: +1-817-305-0006  
Fax: +1-817-305-0069  
support.na@rosslaresecurity.com

### Europe

Rosslare Israel Ltd.  
22 Ha'Melacha St., P.O.B. 11407  
Rosh HaAyin, Israel  
Tel: +972-3-938-6838  
Fax: +972-3-938-6830  
support.eu@rosslaresecurity.com

### Latin America

Rosslare Latin America  
Buenos Aires, Argentina  
support.la@rosslaresecurity.com

### China

Rosslare Electronics (Shenzhen) Ltd.  
Shenzhen, China  
Tel: +86-755-8610-6842  
Fax: +86-755-8610-6101  
support.cn@rosslaresecurity.com

### Asia Pacific, Middle East, Africa

Rosslare Enterprises Ltd.  
Kowloon Bay, Hong Kong  
Tel: +852-2795-5630  
Fax: +852-2795-1508  
support.apac@rosslaresecurity.com

### India

Rosslare Electronics India Pvt Ltd.  
Tel/Fax: +91-20-40147830  
Mobile: +91-9975768824  
sales.in@rosslaresecurity.com

